

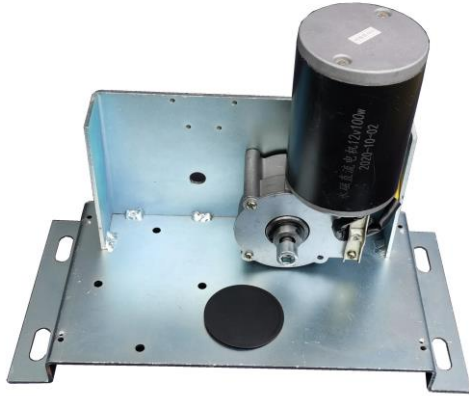


DIGIWAY GATE MOTOR



P/N: SL500E-LV

SL500 Encoder Control Sliding Gate Motor – Low Voltage



Specifications

- SL500 12VDC motor
- 7AH battery backup
- Encoder control
- Two remote control
- 4M rack
- Gate weight up to 500KG

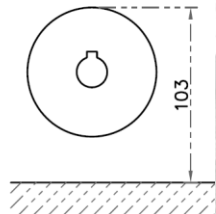
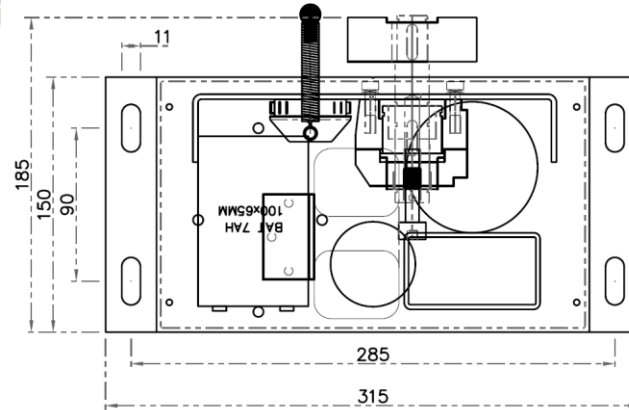
Option



Receiver for garage door



Wireless Keypad



Digiway The better way

