

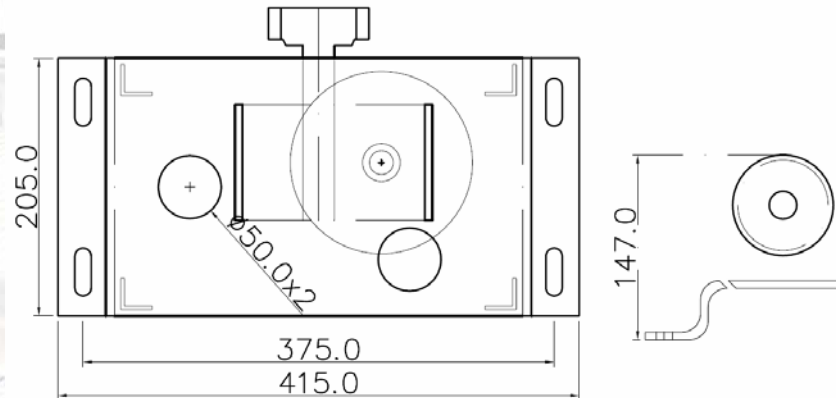


DIGIWAY GATE MOTOR

Industry Slider P150 DC



- Proxy limit switch, soft start and stop.
- 50% duty cycle 24V DC 150W motor.
- Industry gearbox, ration 30:1.
- High speed up to 500mm/sec
- Track or cantilever gates up to 1-tone
- 1.6mm Galvanized sheet powder coat cabinet
- Opener dimensions net: 520Hx320Wx200D(mm),
- Net weight 28kg



Digiway The better way

