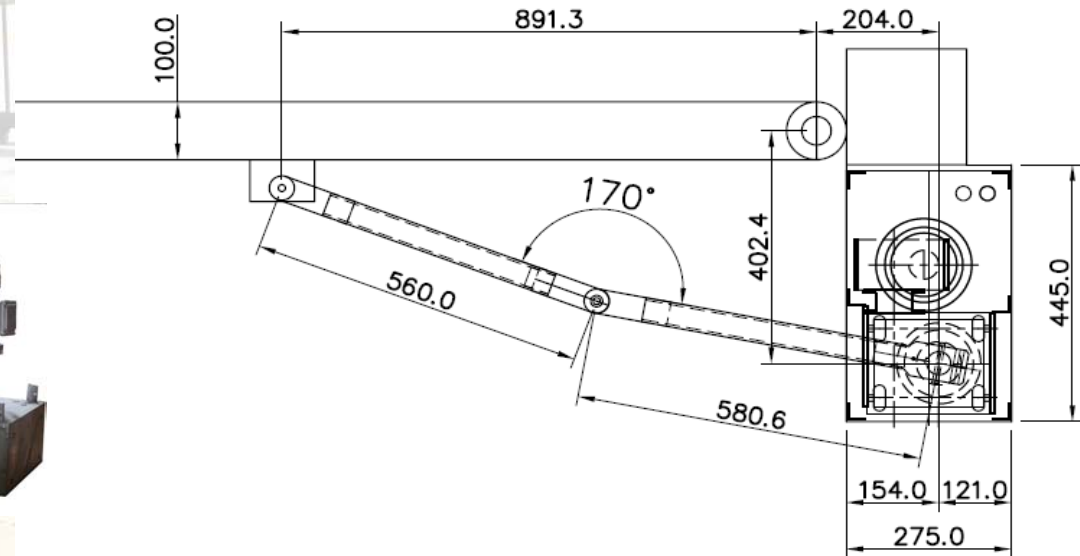




# DIGIWAY GATE MOTOR

## Industry Swing P250

- CB6 controller, mechanical limit switch.
- 100% duty cycle three-phase 0.25KW motor(6 poles).
- Variable speed inverter with different speeds.
- Speed 90 degree about 12 seconds@50Hz
- 1.6mm galvanized sheet powder coat cabinet
- Opener Dimensions: 450Hx430Wx270D(mm)



**Digiway** The better way

