



DIGIWAY GATE MOTOR

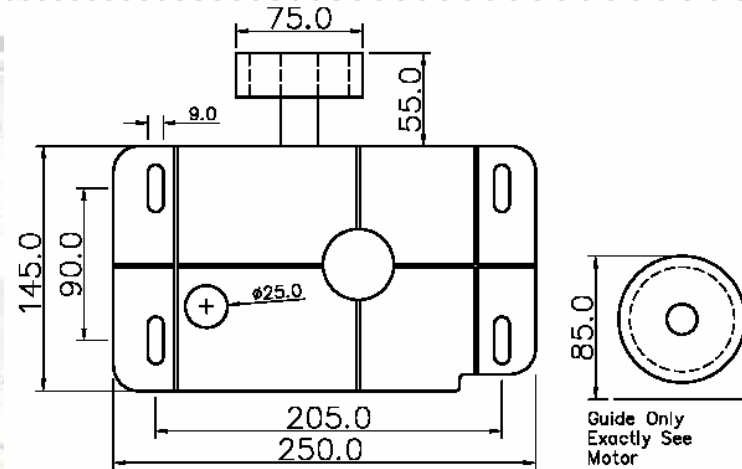
Domestic Slider SL600AC



Specifications

SL600AC domestic sliding gate motor
200W AC motor, Spring limit switch
Two remote control
Gate weight up to 600KG
Gate speed 11M/Min.
Soft start and soft stop
With clear cover

Standard unit includes: SL600AC gate motor,
control board, 2 remote control, 4M rack (option)
manual release key, installation manual.



Digiway The better way





DIGIWAY GATE MOTOR

Motor Brake Force
At Hit Limit

Slowly stop /ramp down
distance/time

Motor output power
For safety reasons, keep
it as less as possible

Motor Runs Max Time
(10 to 90). To protect
motor while malfunction

Remote Learn Button
To learn remote, push
and hold this button for
2 s, then release, push
remote button for two
time, remote will be
learned



Power In
240V



C
C
OP
CL
N
LGT
N
L
E
N
L



OP LIMIT
COM
CL LIMIT
SAF. LP
OV/COM
PEB
+12V
PED
OSC
COM
STOP
OPEN
CLOSE

DIP Switch Setting

- DIP1=ON, soft start
- DIP1=OFF, No Soft start
- DIP2=ON, N/C Limit
- DIP2=OFF, N/O Limit
- DIP3=OFF, DIP4=OFF, No Auto CLS
- DIP3=OFF, DIP4=ON, Auto CLS T=12S
- DIP3=ON, DIP4=OFF, Auto CLS T=2S
- DIP3=ON, DIP4=ON, Auto CLS T=36S



Safety loop
detector
N/O



PE
beams,
N/C



Push button, key pad,
exit loop, receiver

Basic Setting

(No Auto Close function, No PEB,)

- 1) Mount motor, rack, connect power (plug in, three pins plug (extra) to power point)
- 2) Select soft start function, DIP1 on or off
- 3) Push remote button, gate will open or close.

Advance Setting

(with Auto Close function and PEB,)

- 1) Finish basic setting
- 2) Select auto close time by DIP3 and DIP4
- 3) PEB input is N/C.
- 4) With auto close function and if gate stay in opened position, that means the gate running direction is wrong (if PEB is not block). To change motor direction, swap motor wires MOT1(OP) and MOT2(CL), Limit switch Op Limit(13) and CL limit(11)

Trouble shooting guide

- Q: gate can open, but can not close.
A: could be PEB faulty or blocked (if fit).
- Q: Gate could not open and close, LED not on.
A: Check power supply, Fuse.
- Q: Remote control Does not work
A: Check battery. Remote code lost, relearn it

