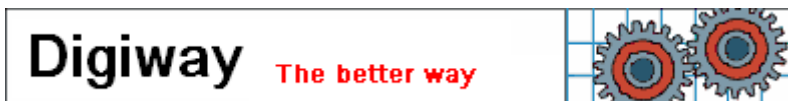




P250 SWING GATE MOTOR  
INSTRUCTION MANUAL  
WITH AC6 CONTROLLER



## 1. General Descriptions and features

### 1.1 General descriptions

It is recommended reading and understanding this manual before start to install the control board. Some features and idea are new. So take some time to read through the manual to get better understanding of the board. That will save your time during installation.

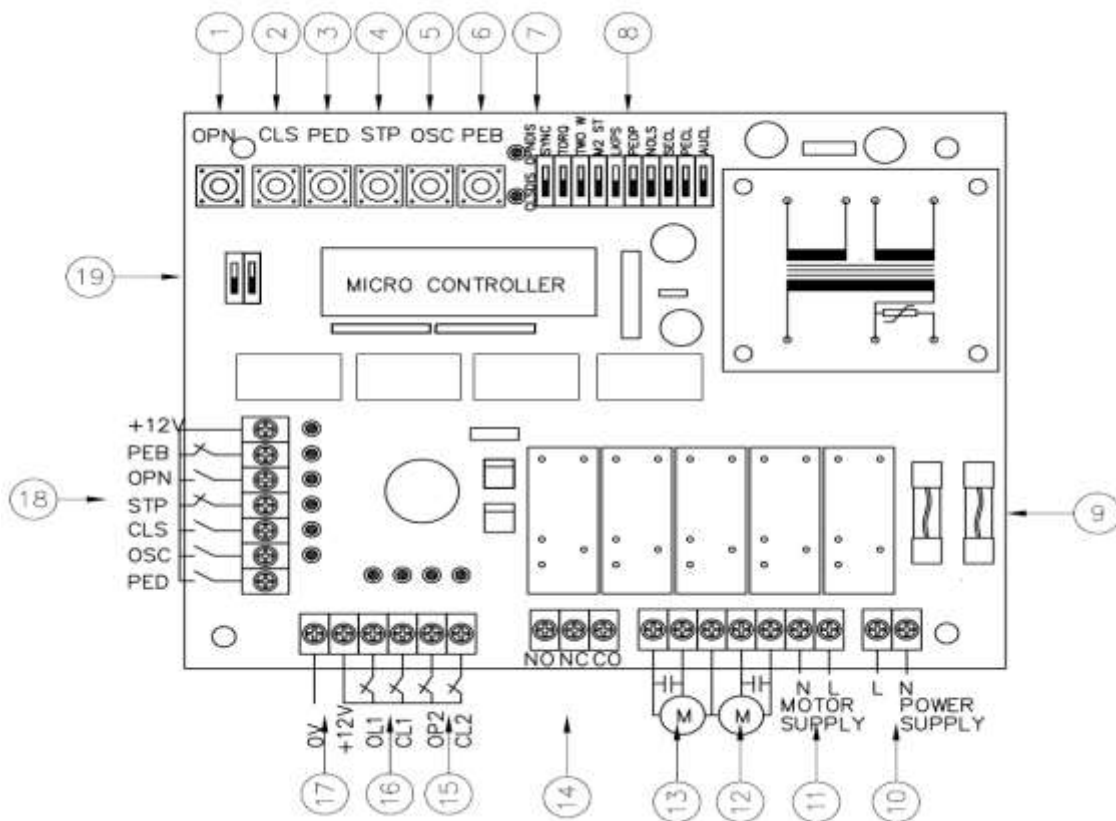
Electricity and power motors associated accessories could be fatal or at least cause seriously injury. Digiway suggested some safety device to be used so as to prevent personnel from being injured by motorized device being controlled. **All main voltage wiring must be installed by a licensed electrician.**

### 1.2 General features

- The P250 is a heavy duty swing gate motor controlled by AC6 dual motor controller, which able to control two motors at same time with variety of settings.

## 2. Description of standard operations

### 2.1 View of Control board



1. OPN open push button
2. CLS close push button
3. PED pedestrian open push button
4. STP stop push button
5. OSC open/stop/close push button
6. PEB photo electrical beams
7. Gate status display, open green, close red
8. Mode selection DIP switch
9. Motor protect fuse 5A and Transformer fuse 0.5A
10. Main inputs 240VAC.
11. Motor power input/inverter COM. input
12. Motor2 open and close outputs
13. Motor1 open and close outputs
14. Lock output
15. Motor2 limit switches
16. Motor1 limit switches
17. Limit switch input common +12VDC@300MA output for the sensor
18. Control inputs
19. Set1 and Set2 DIP switch

## 2.2 Control inputs

### 2.2.1 Open (OPN) input & OPN push button

The OPN inputs are Push Button OPN and Terminal OPN input. Push OPN button and activating (connect OPN terminal to the +12V) the OPN input will start to open the gate. When gate opened, if OPN is keep activating, the gate will stay open. This is mostly controlled by access control system.

### 2.2.2 Pedestrian Access (PED) input and Pedestrian (PED) push button

The pedestrian input partly opens the gate leaf driven by motor1 in the case of single speed mode, or partly opens gate in the case of sliding gate mode. How far the gate will open depending on the Pedestrian Open Time, this can be changed by user. If P.E input is activated during the gate is closing, the gate will reopen for another Pedestrian Open Time. P.E Close setting and Auto Close setting will also apply to pedestrian cycle.

### 2.2.3 Close Terminals input (CLS) and Close (CLS) Push button

The CLS terminals input is used to close the gate. Push button on control board is mainly used to test when finished the installation. Pushing it will cause gate to close if the gate in the opened position or in the opening cycle. If gate is in the closed or closing, the gate situation is not change.

### 2.2.4 STP stops input and stop button

STP input and STP button is used for stop the gate and settings

### 2.2.5 OSC (open/stop/close) input

OSC input and OSC button is used for manual operation. Push to open the gate, push again stop gate, another push close the gate.

### 2.2.6 Photoelectric safety beam (PE) input (N/C type)

If the P.E input is activated while gate is closing, the controller will stop the gate or reopen the gate depending on the DIP setting. If the gate in the opened position and P.E beam is activated, the gate will stay in opened.

## 2.4 Model Select Switch (8)

## Digiway Pty Ltd – P250

2.4.1 SYNC Delay (DIP1)            ON= Delay            OFF= No Delay

DIP1 is on: Motor 2 delay open and motor 1 delay close. DIP1 is off, there is no delay. Not apply to Torque motor.

2.4.2 TORQUE Motor (DIP2)        ON=TORQUE            OFF= 240VAC Motors

DIP2 is ON, control two boom gate torque motors. OPN open both boom gates, while PED only open boom gate driven by motor1. DIP2 is OFF, it control standard 240V AC motors.

2.4.3 WARN (DIP3)                ON= Warn            OFF= No Warn

DIP3 is ON, about 3 seconds audio warning before gate starts. DIP3 is off, no this function.

2.4.4 M2ST (DIP4)                ON= M2 LGT out      OFF= Motor out

DIP4 is on, Motor 2's out changes to light out. OP2 out is continually, CL2 out is flash at about 1Hz either open or close cycle.

2.4.5 LOCK (DIP5)                ON= presence        OFF= pulse

DIP5 on, the lock output is presence. The lock relay will be on if the gate is in opening, closing cycle. DIP5 is off; lock output is 0.8 seconds pulse at the start of each open and close cycle.

2.4.4 PEOP (DIP6)                ON= PEOP            OFF=Close only

DIP6 is ON, the PE beam will work on the open cycle and close cycle. DIP6 is off, the PE beam will work only in close cycle.

2.3.6 NOLS (DIP7)                ON= N/O limit        OFF=N/C limit

DIP7 is ON, the limit inputs change to N/O, and DIP7 is off, the limit inputs are N/C

2.3.8 Security close (DIP8)        ON=SEC CLS            OFF=NO SEC CLS

DIP8 is on and P.E input is active while the gate is opening, if the PE clear, the gate controller stops gate and begin to close the gate even the gate is not fully opened. If the PE active again, gate will just stop, but not reopen. If DIP8 is set to off, there is no this function.

2.3.9 PE trig close (DIP9)        ON=PE CLS            OFF=NO PE CLS (2.0sec)

If DIP9 is set to ON, after gate opened, the gate will auto close after P.E beams triggered and clear. If the P.E beams trig again, the gate will reopen as long as the P.E input is keep active until gate fully opened. If the PE is clear, the gate will only open another 2 seconds, then after PE close delay time will close again. DIP8 is prior to DIP9.

2.3.10 Auto CLS (DIP10)          ON=AUTO CLS        OFF=NO AUTO CLS (30sec))

If DIP10 is on, the gate will auto close after standard auto closed time (30 seconds). If DIP10 is off, the gate will stay opened if no other input to the controller. DIP9 is prior to DIP10

## 2.5 Timers setting

### Push Buttons functions

Button	SET1---ON	SET2 --- ON	Set1 and Set2 both off---Running
OPN	Open cycle time set	Warning time set	Open gate
CLS	Close cycle time set	Lock time set	Close gate
PED	PED cycle time set	LGT time set	Partial open gate
STP	Sync motor time set	Motor stop time set	Stop gate
OSC	Auto close time set	Two T1 --spare	Open-Stop-Close gate
PEB	PE close time set	Two T2 -- Spare	PE. Input (simulated)

### 2.5.1 Set1 time settings

Turn SET1 on, red and green LED flashes a little fast alternatively.

#### Open cycle time

Push and hold on OPN for the full open run time setting

#### Close cycle time

Push and hold on CLS for the full close run time setting

#### Pedestrian running time

Push and hold on PED for the pedestrian open run time setting

#### Sync delay time(Motor2 delay time)

Push and hold on STP for the sync delay time setting.

#### Auto close time set

Push and hold on OSC for the auto close time setting.

#### PE close time set

Push and hold on PEB for the PE close time setting.

### 2.5.2 SET2 time setting

Turn SET1 off and SET2 on

#### Warn time set

Push and hold on OPN for Warning time setting.

#### Lock pulse time set

Push and hold on CLS for the lock pulse time setting

#### LGT time

Push and hold on PED for the PE trig close time setting

#### Motor Stop time

Push and hold on STP for the motor stop time setting

#### Two-T1 time1 (spare for late use)

Push and hold on OSC for the Two-T1 time setting

#### Two-T2 time2 (spare for late use)

Push and hold on PEB for the Two-T2 time setting.

Turn SET2 OFF. The gate controller will back to working mode

Factory setting

Timer	F/Setting	Step	Setting Method	Range
Open Cycle Time	60sec.	0.1sec	SET1 on + OPN Button	0-6550sec.
Close Cycle Time	60sec.	0.1sec.	SET1 on + CLS Button	0-6550sec.
Ped Cycle Time	10sec.	0.1sec.	SET1 on + PED Button	0-6550sec.
Sync Delay Time	2sec.	0.1sec.	SET1 on + STP Button	0-25sec.
Auto Close Time	30sec.	0.1sec.	SET1 on + OSC Button	0-6550sec.
PE Auto close Time	2sec.	0.1sec.	SET1 on + PEB Button	0-25sec.
Warning time	3sec	0.1sec	SET2 on + OPN Button	0-25sec
Lock Pulse Time	1sec.	0.1sec	SET2 on + CLS Button	0-25sec
Light Time	60sec	0.1sec	SET2 on + PED Button	0-6550sec
Motor Stop Time	0.5sec	0.1sec	SET2 on + PED Button	0-25sec
Two-T1 Time(spare)	60sec	0.1sec	DIP2 on + OSC Button	0-6500sec
Two-T2 Time(spare)	60sec	0.1sec	DIP2 on + PEB Button	0-6500sec

***To restore factory setting, turn power off and set SET1 on, push and hold CLS button, then power on. While hold CLS button, set SET1 off and then release the CLS button. Now controller restored factory setting from memory.***

## 2.6 Control inverter drive three phase motor

Motor input should be common from inverter.

## 2.7 Light output

With the additional module, which plugs into the control board, the control board will control light, which will illuminate the driveway etc. The light will automatically turn off after preset time (customer programmable). If DIP4 is set to ON, the M2 output will change to light output.

## 2.8 Audio warn output

On Board buzzer can give warn for diagnose. Additional buzzer or relay module, which plugs into the control board, the control board give out audio warning signals before gate moves  
If PB beam is blocked or Stop input is not shorted, four short beeps will be heard

## 3. Specifications

### 3.1 Control Inputs

All the control inputs, PE, limit switches are voltage free input, positive switching. Com is 12VDC. All inputs are isolated by photo coupler from Microchip circuits.

### 3.2 Outputs

The motor relay is rated 5A inductive load. 10A resistive load is on the control board. The power transformer protective fuse is 0.5A. On board 12V DC output maximum is 300MA, which can supply PE beams, access control assessors etc. But NEVER drive magnetic locks.

### 3.3 TECO L510S setting

FXX	Function	setting
00-03	Alt Run Source	1
00-05	Main frequency source	0
00-06	Main frequency source	1
00-07	Mina & Alt command	0
00-14	Acc time1	4.0
00-15	Deacc time1	3.5
02-20	Motor plate current	1.9A
02021	Motor protect current	3.8A
05-02	Close speed	35hz
Pot	Open Speed	Keypad

## **4. Trouble shooting guide**

### 4.1 General checking

Normally if installation is done properly, there would be trouble free. If in case of malfunction, please checking as following steps.

- 1) Check the DIP setting motor selection is right.
- 2) Gate status LED green (open) and red (close), one or both should be flashing depending on the gate position. If not flashing, please check the power supply and 12V DC output circuits if there is a short circuits.

### 4.2 Gate not open

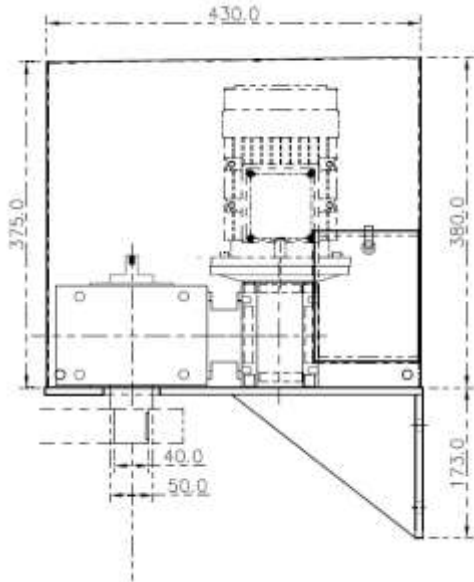
- 1) Check the limits switch type selection if it is right.
- 2) Push button on the control board, if gate status green LED flashing and red LED off, please check motor fuse and motor.

### 4.3 Gate not close

- 1) Check the limits switch type selection if it is right
- 2) Check the DIP switches auto close mode selection if it is right.
- 3) Check control input. If one or more of OPN, OSC, PED input LED are on, which means access control system hold gate open.
- 4) If PEB input LED is not on, which means PE beams is faulty or blocked. Meanwhile can hear 4 beeps

5. P250 mounting

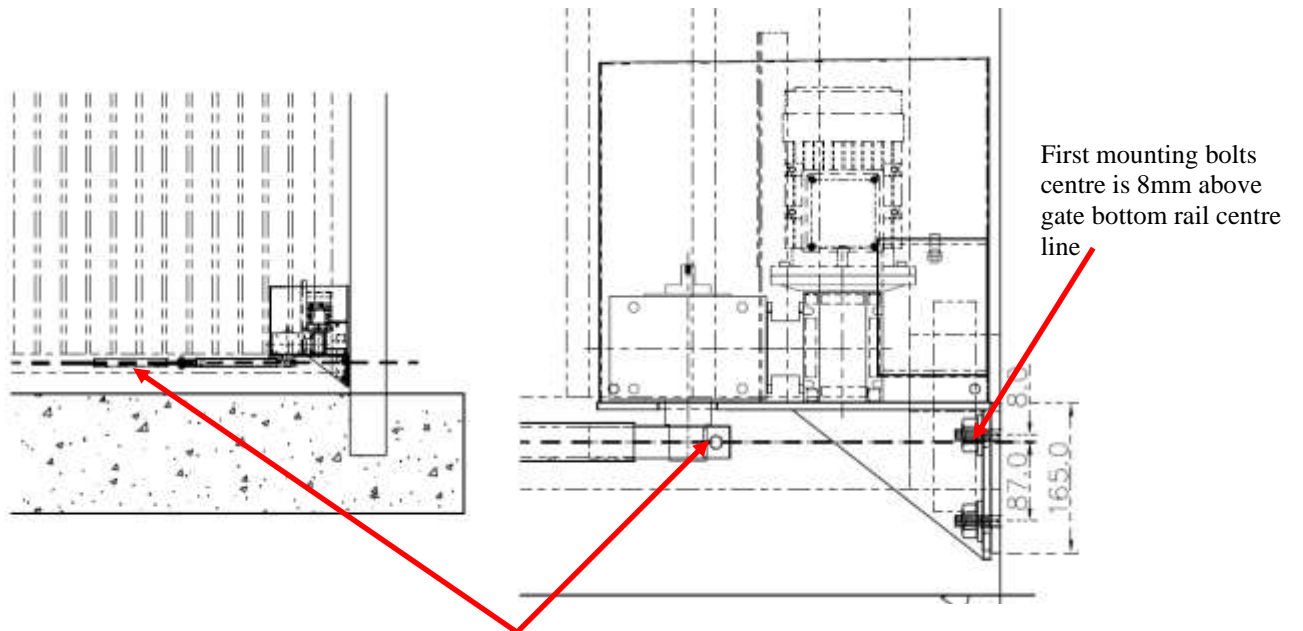
5.1 P250 dimension



Side View



Top View

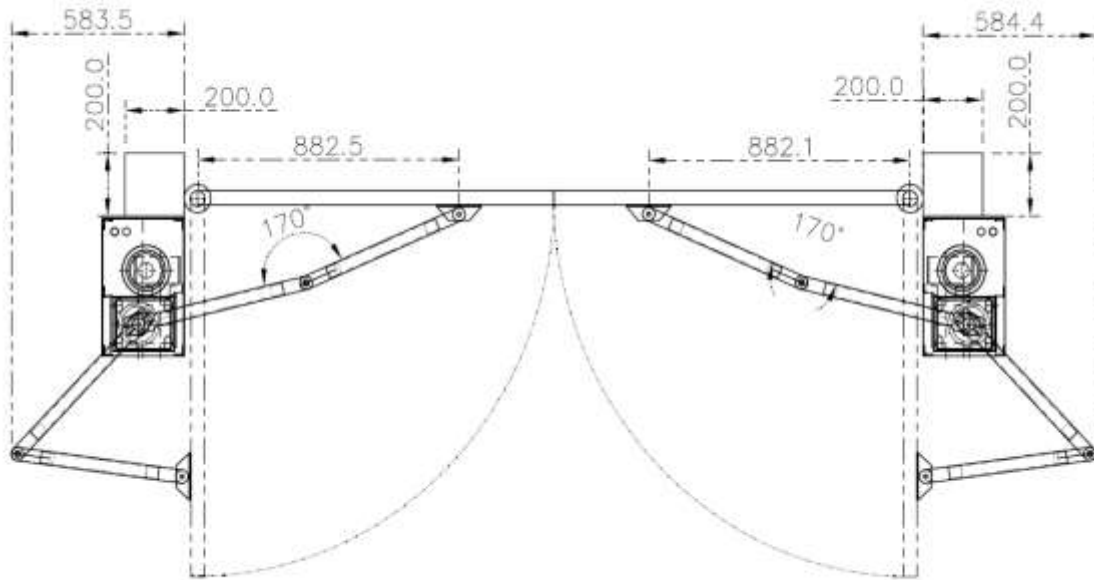


Gate Bottom rail centre.

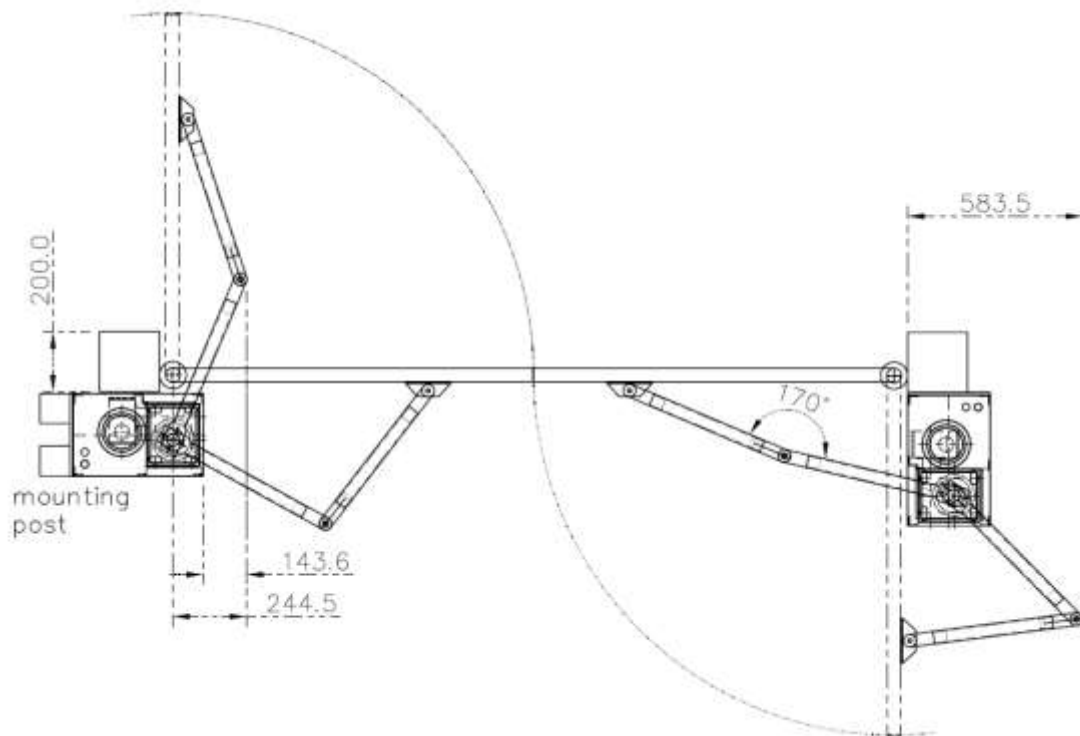
Side Mounting View



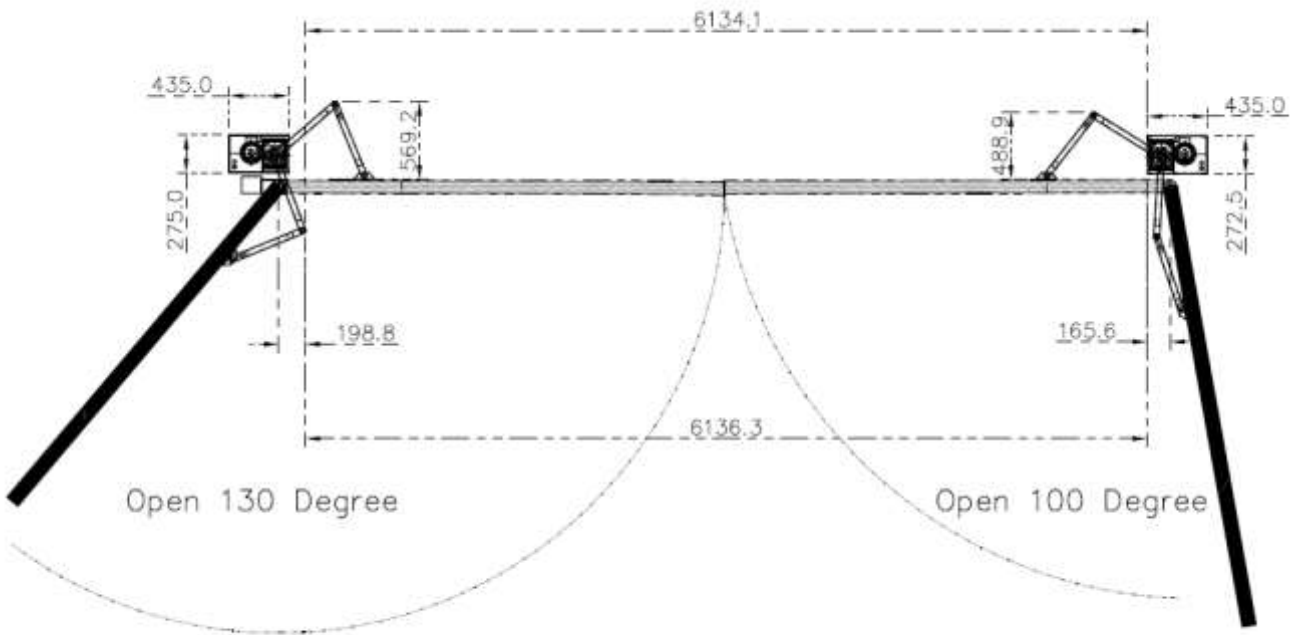
5.2 Standard swing in mounting on steel post



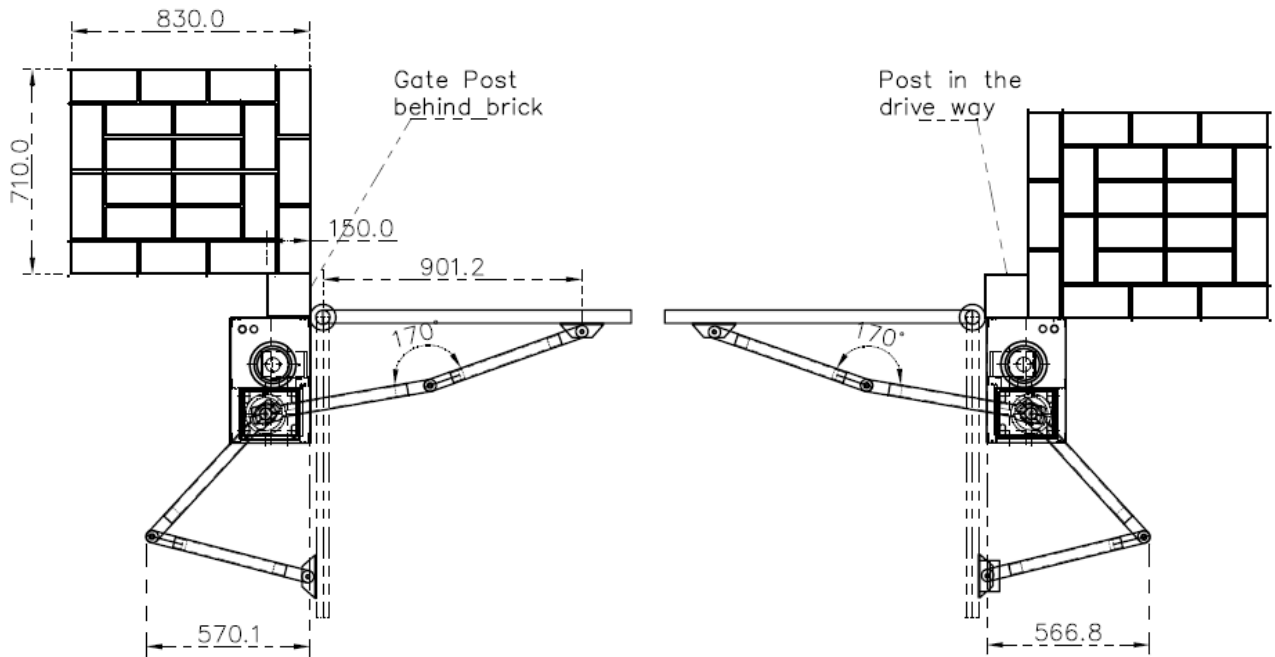
5.2 One swing in and one swing out



5.3 Swing out 130 degree

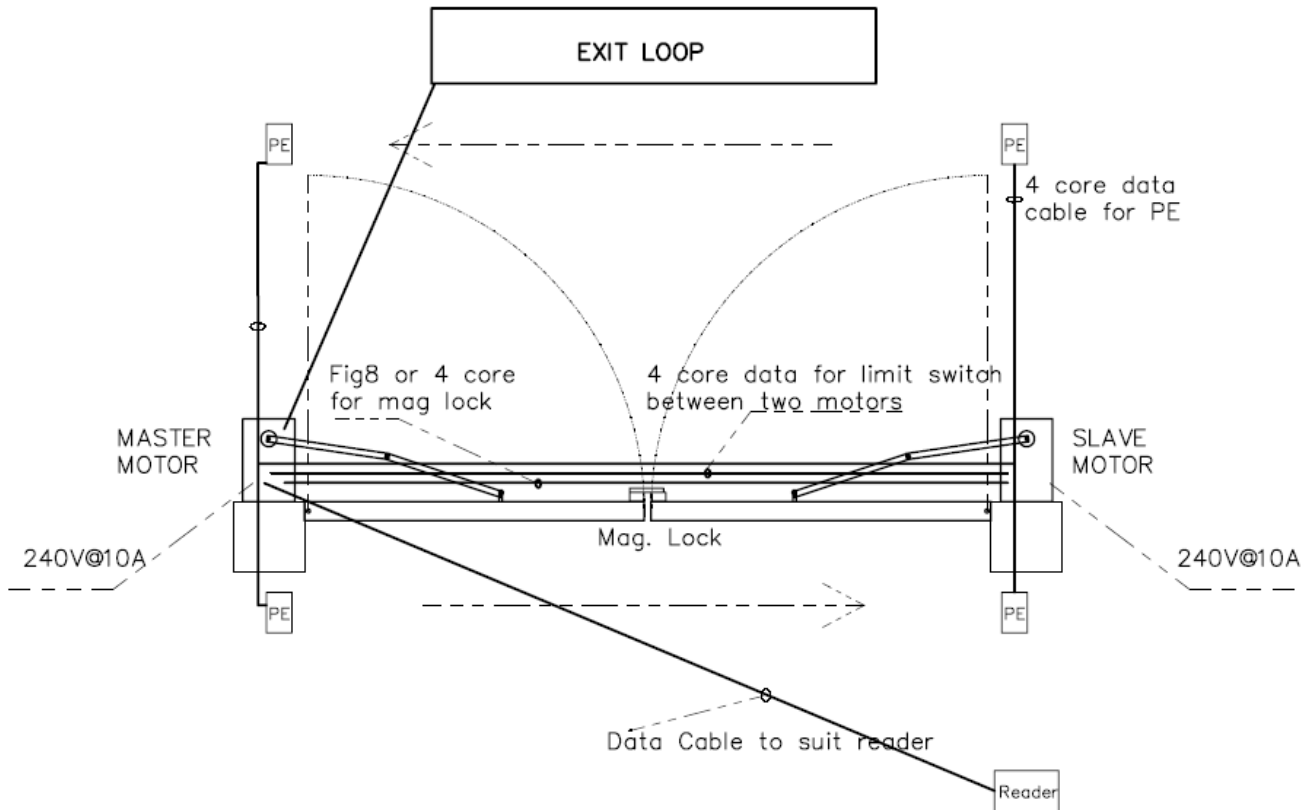


5.4 Brick Post



6. Wiring Layout

6.1 cable layout



Cables:

- 1) Each side 240V power supply
- 2) 4 core across drive for limit switch
- 3) 4 -6 core across drive for PE beams, depending on the how many sets PE and what type PE
- 4) 2-8 core for Magnetic lock, depending on what kind of magnetic lock and what signals want to get from magnetic lock
- 5) Card read or free exit loop depending on applications.

